

# USER MANUAL

## OPTIONAL

### CAMERA



Truck camera

- Bus/truck camera
- 120° view angle
- High resolution camera

### CABLE



4 Pin extension cable

- 20 M extend cable with 4 pin lock connector

## PACKAGING LIST

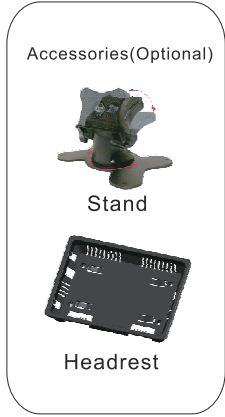
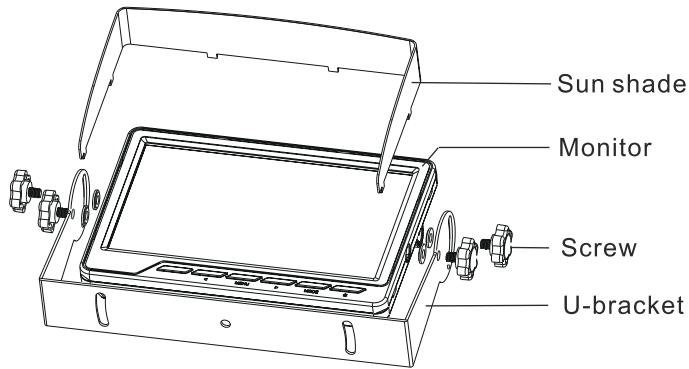
SN	NAMES	QUANTITY
1	Host	1
2	Remote controller	1
3	User's Manual	1
4	Power Cable	1
5	Sun shade	1
6	Screw	4
7	U-bracket	1
8	Stand( Optional)	1
9	Headrest( Optional)	1
10	Camera ( Optional)	1
11	20M Extend cable ( Optional)	1
12	AV Adapter cable ( Optional)	1



Before operating the Monitor, please read this manual thoroughly and retain it for future reference.

# 7" HEAVY DUTY monitor system

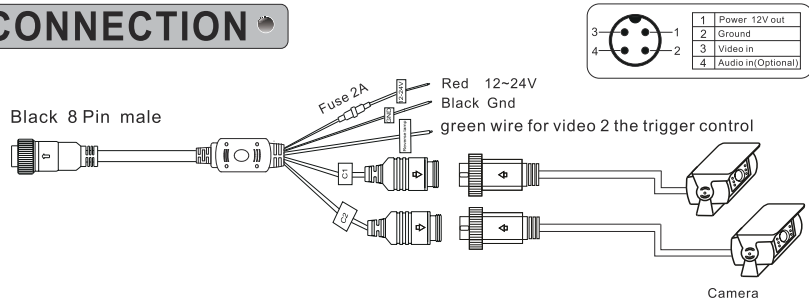
## MONITOR SPARE PARTS



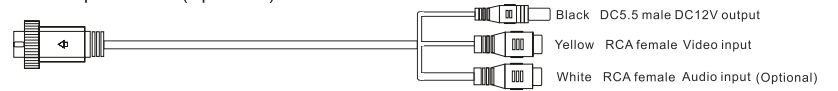
## SPECIFICATIONS

- 7" TFT LCD Panel (diagonal length)
- Resolutions: 800xRGBX480 (Digital)
- Aspect Ratio: 16:9 image
- 2 ways video inputs
- With guide line
- Rear view delay (0~5S selection)
- CAM1/CAM2 MIRROR Image adjusted independent
- PAL & NTSC auto-switching
- Power supply: DC 12 V-24V
- Sunshade design around
- Built-in Speaker (Optional)
- Remote control, OSD menu;  
Contrast, color, brightness adjustable

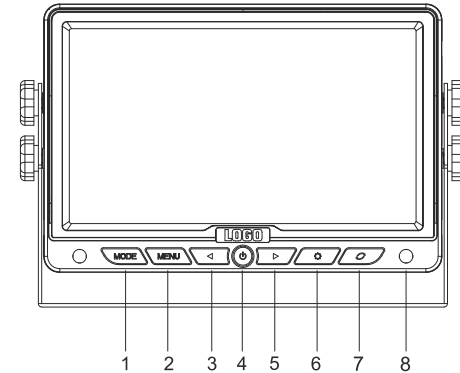
## CONNECTION



AV Adapter cable(optional)

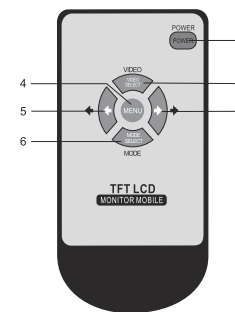


## MONITOR



1. CAM1/CAM2 Change
2. Menu
3. Increase setting
4. Power
5. Decrease setting
6. Brightness mode
7. Normal/Mirror
8. Remote window

## REMOTE CONTROL



1. Power
2. CAM1/CAM2 Change
3. Positive Increase
4. Menu
5. Negative Decrease
6. Mode selection